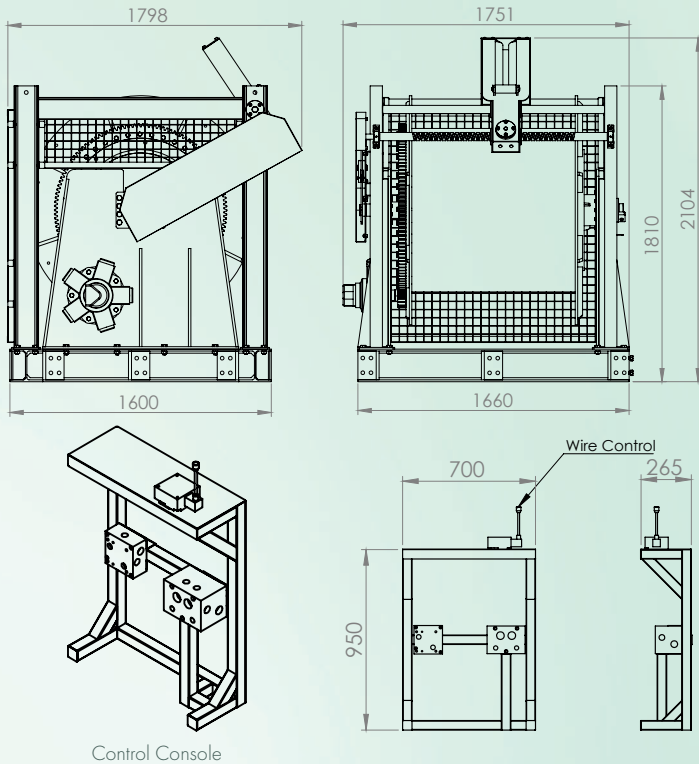


# 5 ton Winch DWRW-1050



- ◆ The color of winch can be customized
- ⚠ Tether or umbilical is not included

## Features

- ✓ 5-ton rated line pull
- ✓ Standard design performs high flexibility for upgrade and maintenance
- ✓ Easy integration with A-frame system
- ✓ Protection frame and grating design
- ✓ Slip rings upon request

## Specification ※ All product descriptions and specifications are subject to be changed without notice.

Model	DWRW-1050 (5 ton)
<b>MECHANICAL</b>	
Dimensions	1660(W) x 1600(L) x 2100(H) mm
Mounting Pattern	1920(W) x 1860(L) x 2100(H) mm
Tare Weight	2100kg
Rated Line Pull	5000kg
Gearing	7.6:1
Recommended Operating Speed	Below 9 Rpm
Speed at 1st layer	28 m/min
Main Structure material	Low-carbon steel
<b>HYDRAULIC OPERATING CONDITIONS</b>	
Motor Con. Pressure	200bar
Max Pressure	260bar
Recommended Speed-Volume Flow Rate	85 l/min
MAX. CONT. Volume Flow Rate	311 l/min